

# G LOBAL SALES NETWORK



## R Series 4.0/4.5/5.0T Diesel



CE CERTIFICATE



ISO14001: 2004



ISO9001: 2008

**HANGCHA GROUP CO., LTD.**  
(Zhejiang Hangcha Imp.&Exp.Co.,Ltd.)

[www.hcforlift.com](http://www.hcforlift.com)

Add:398 Shi Qiao Road, Hangzhou Zhejiang province, China(310022)  
Factory site:No.88,Donghuan Rd., Economic Development Zone Lin'an, Zhejiang, China(311305)  
Tel: +86-571-88926755  
Fax: +86-571-88926789 88132890  
E-mail: [sales@hcforlift.com](mailto:sales@hcforlift.com)

HANGCHA GROUP CO., LTD. Reserves the right to make any changes without notice concerning colors, equipment, or specifications detailed in this brochure, or to discontinue individual models. The colors of trucks, delivered may differ slightly from those in brochures.

2014 VERSION 2/COPYRIGHT 2013/08

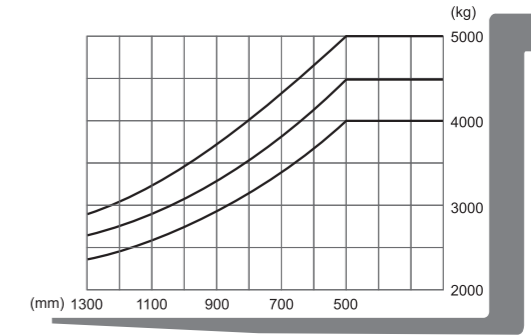
**HANGCHA GROUP CO., LTD.**

**R series 4.0 ~ 5.0t forklift specification:**

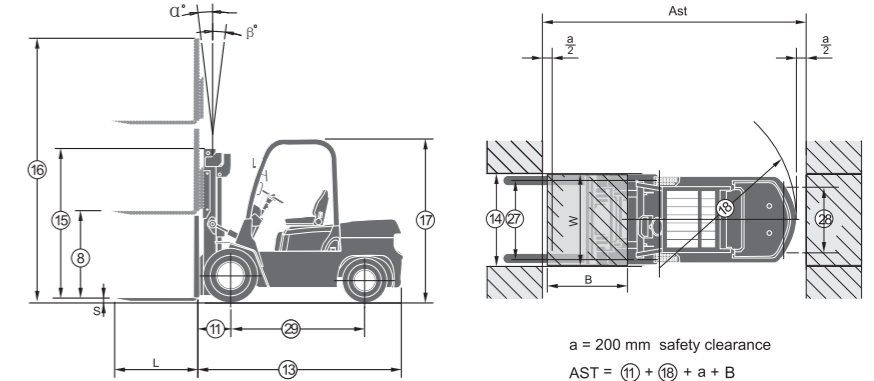
General		HANGCHA GROUP CO.,LTD.													
		CPCD40				CPCD45				CPCD50					
3		RW5	RW19	RW35	RG24	RW5	RW19	RW35	RG24	RXW5	RXW19	RXW35	RXG24		
1		Manufacturer													
2		Basic model													
4		Power type													
5		Rated capacity													
6		Load center													
7		Lift height													
8		Free lift height													
9		Fork size													
10		Mast tilt range													
11		Fork overhang(Wheel center to fork face)													
12		Rear overhang													
13-17		Overall dimensions													
		Length to face of fork													
		Overall width													
		Mast lowered height													
		Mast extended height													
18		Turning radius(outside)													
19		Min. right angle stacking aisle width (Add load length and clearance)													
20-22		Speed													
		Travel (No load)													
		Lifting (Full load)													
23		Max.Drawbar Pull (Full load)													
24		Max.Gradeability (Full load)													
25-29		Chassis													
		Tyres													
		Tread													
		Wheelbase													
		Ground clearance													
30		Service weight													
31		Weight													
32		Distribution													
33		Battery													
34		Voltage/Capacity(20HR)													
35-44		Power & transmission													
		Model													
		Manufacture													
		Rated output													
		Rated torque													
		No. of cylinder													
		Bore×Stroke													
		Emission STD.													
		Displacement													
		Fuel tank capacity													
45		Manufacture													
46		Type													
47		Stage													
48		Operating pressure													

For more than 30 years, HANGCHA GROUP CO., LTD. Has played a leading role in the manufacture and production of Chinese forklift industry. We constantly strive to develop and incorporate the latest advances in forklift design and technology to ensure that our products provide an optimum level of performance, all the time. Our new generation R series of forklifts truly exemplifies this commitment to excellence.

**LOAD CHART**



**DIMENSIONS**



Note: \* With suspension seat or cabin.  
 1. Special lifting height available ( Duplex mast: 2.5m, 2.7m, 3.0m, 3.3m, 3.6m, 4m, 4.5m. Triplex mast: 4.3m, 4.5m, 4.8m, 5m, 5.5m, 6m ) 2. Attachment available.  
 3. The specifications in the table are for standard models only. For further information please contact us. 4. Specifications are subject to change without notice.

**4.0 ~ 5.0t R series mast: ( pneumatic )**

Type	Model	Max. Fork height	Overall height								Free lift				Front Overhang		Tilt range		Capacity							
			Lowered		Extended				Without backrest		With backrest		4 / 4.5t		5t		FWD		BWD		Single tire			Double tire		
			4 / 4.5t	5t	4 / 4.5t	5t	4 / 4.5t	5t	4 / 4.5t	5t	4 / 4.5t	5t	4 / 4.5t	5t	4 / 4.5t	5t	4 / 4.5t	5t	4t	4.5t	5t	4t	4.5t	5t		
Wide view mast	R45/X50M250	2500	1995	1995	3330	3330	3670	3865	160	160	160	160	550	555	6	12	4000	4500	5000	4000	4500	5000				
	R45/X50M270	2700	2095	2095	3530	3530	3870	4065	160	160	160	160	550	555	6	12	4000	4500	5000	4000	4500	5000				
	R45/X50M300	3000	2245	2245	3830	3830	4170	4365	160	160	160	160	550	555	6	12	4000	4500	5000	4000	4500	5000				
	R45/X50M330	3300	2395	2395	4130	4130	4470	4665	160	160	160	160	550	555	6	12	4000	4500	5000	4000	4500	5000				
	R45/X50M350	3500	2495	2495	4330	4330	4670	4865	160	160	160	160	550	555	6	12	4000	4500	5000	4000	4500	5000				
	R45/X50M360	3600	2545	2545	4430	4430	4770	4965	160	160	160	160	550	555	6	12	4000	4500	5000	4000	4500	5000				
	R45/X50M400	4000	2795	2795	4830	4830	5170	5365	160	160	160	160	550	555	6	12	3800	4250	4750	4000	4500	5000				
	R45/X50M430	4300	2960	2960	5130	5130	5470	5665	160	160	160	160	550	555	6	6	3600	4000	4500	3800	4250	4750				
	R45/X50M450	4500	3070	3070	5330	5330	5670	5865	160	160	160	160	550	555	6	6	3400	3800	4250	3600	4050	4500				
	R45/X50M480	4800	3235	3235	5630	5630	5970	6165	160	160	160	160	550	555	6	6	3000	3350	3750	3200	3600	4000				
Wide view full free mast	R45/X50M500	5000	3345	3345	5830	5830	6170	6365	160	160	160	160	550	555	6	6	2800	3150	3500	3000	3400	3750				
	R45/X50U250	2500	1976	1976	3365	3365	3670	3865	1114	1114	809	610	557	562	6	12	4000	4500	5000	4000	4500	5000				
	R45/X50U275	2750	2100	2100	3615	3615	3920	4115	1238	1238	933	735	557	562	6	12	4000	4500	5000	4000	4500	5000				
	R45/X50U300	3000	2226	2226	3865	3865	4170	4365	1364	1364	1055	860	557	562	6	12	4000	4500	5000	4000	4500	5000				
	R45/X50U330	3300	2376	2376	4165	4165	4470	4665	1514	1514	1205	1010	557	562	6	12	4000	4500	5000	4000	4500	5000				
	R45/X50U360	3600	2526	2526	4465	4465	4770	4965	1664	1664	1359	1160	557	562	6	12	4000	4500	5000	4000	4500	5000				
	R45/X50N400	4000	2080	2080	4850	4860	5170	5365	1229	1222	912	715	603	615	6	12	3600	4000	4500	3800	4250	4750				
	R45/X50N430	4300	2180	2180	5155	5160	5470	5665	1329	1322	1012	815	603	615	6	6	3400	3800	4250	3600	4050	4500				
	R45/X50N450	4500	2248	2248	5365	5370	5685	5880	1395	1390	1080	883	603	615	6	6	3200	3600	4000	3400	3850	4250				
	R45/X50N480	4800	2340	2340	5650	5660	5970	6170	1489	1482	1172	975	603	615	6	6	3000	3350	3750	3200	3600	4000				
Wide view full free Triplex mast	R45/X50N500	5000	2410	2410	5855	5860	6170	6370	1559	1552	1242	1045	603	615	6	6	2800	3150	3500	3000	3400	3750				
	R45/X50N550	5500	2575	2575	6355	6360	6670	6870	1724	1718	1408	1210	603	615	3	6	2250	2550	2850	2800	3100	3350				
	R45/X50N600	6000	2790	2790	6865	6870	7180	7380	1939	1932	1622	1425	603	615	3	6	1700	1950	2200	2600	2800	2950				

With sideshifter minus 200Kg, with integral sideshifter minus 100Kg.



**Options**

- 2.0-5.0m duplex mast
- 2.5-5.0m full free duplex mast
- 4.3-6.5m triplex mast
- Special carriage and backrest
- Other dimension forks
- Dual drive wheel with fender
- Solid tyre
- Non-marking(white, green)
- Cabin
- Heater and air conditioner
- Fire extinguisher
- Semi-suspension seat or full-suspension seat
- Dual air cleaner or special air cleaner
- Rear working light
- Customer painting
- Auxiliary hydraulic valve modules
- High-mounted exhaust system
- Middle-mounted exhaust system
- Spark arrester
- Purified exhaust system
- Radiator screen
- Sideshifter
- Integrated sideshifter
- Other attachment